

GLOBAL "TWIST-SET" POSITION INDICATOR

With Micro Switches

With two V3 micro switches and gold plated contacts



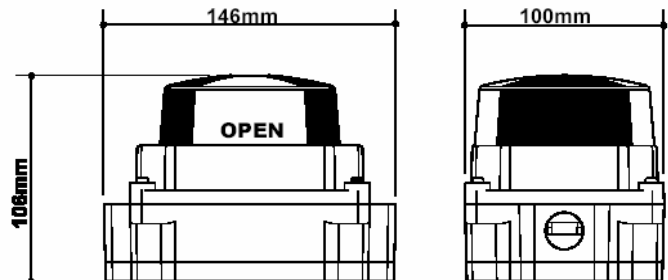
Fig. 1102 - (Options)



HOUSING

Materials: lid - Polycarbonate
body - ABS
shaft - Stainless Steel

Electrical Entries: 2 x M20 (PG 13.5 or 1/2" NPT)
Mounting: VDI/VDE3845 (NAMUR)
Enclosure: IP 67



SWITCHES

Type: Single Pole Double Throw
Rating: 250 Volts 10 Amps
Temperature: -20°C to 80°C

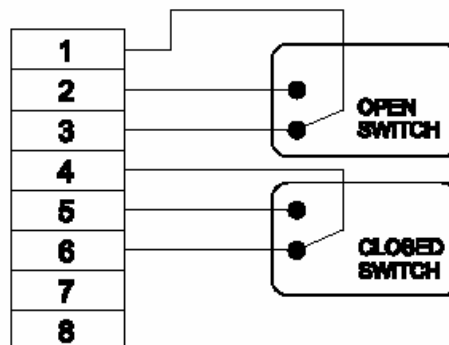
Note: Gold Plated Contacts

OPTIONS

TS PC2 2 Limit switches with solenoid terminals
TS PC4 4 Limit switches with solenoid terminals
TS POT 1 KOHM Potenciometer
TS POT-2 1 KOHM Potenciometer with 2 switches
TS LINEAR 2 Switches set to any angle 0 - 90 degrees.

WIRING DIAGRAM

COM BLUE
NO RED
N/C BLACK
COM BLUE
NO RED
N/C BLACK



Data Sheet No.1102

For installation, operation and maintenance refer to I.O.M.

Details subject to change

Global Valves and Engineering Pty Ltd
"your partner for the future"

Tel: (02) 9868 5055 Fax: (02) 9868 5063 Email: sales@globalvalves.com.au Website: www.globalvalves.com.au