

GLOBAL "TWIST-SET" NAMUR MOUNTING

High Quality Global "Twist-Set" Namur mounting kits



NAMUR ACTUATOR

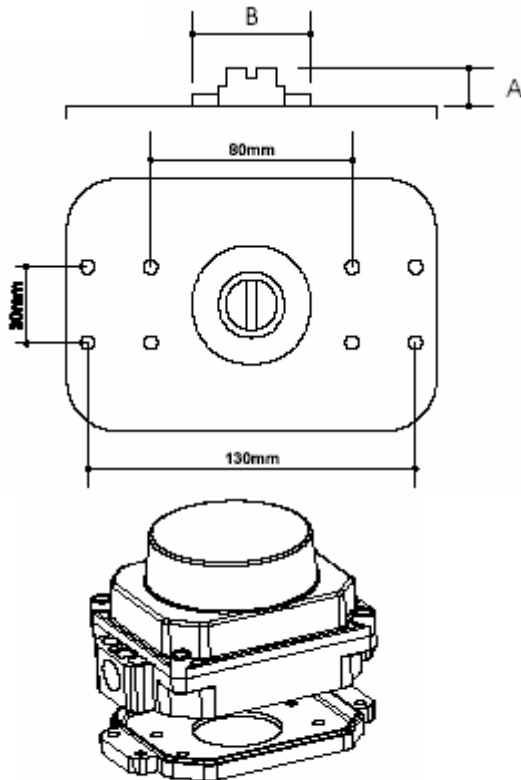
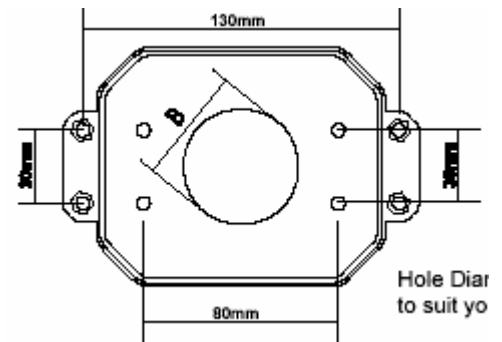


Fig. 1700

SWITCHBOX BASE PLATE



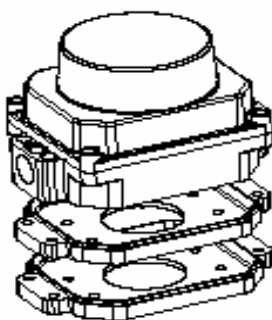
Hole Diameter B can be custom drilled to suit your actuator shaft diameter

B maximum diameter 75mm for 80 x 30 mounting.
B maximum diameter 85mm for 130 x 30 mounting.

Standard Kit

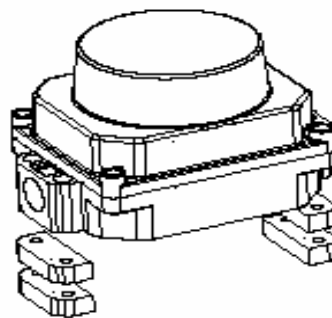
Actuator shaft height (A): 20mm
Mounting Holes: 80 x 30mm

OPTIONS



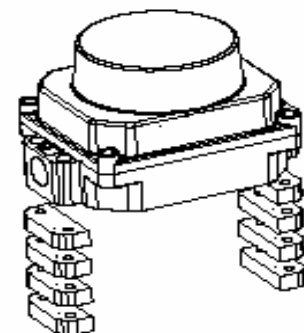
Kit 1

Actuator shaft height (A): 30mm
Mounting Holes: 80 x 30mm



Kit 2

Actuator shaft height (A): 30mm
Mounting Holes: 130 x 30mm



Kit 3

Actuator shaft height (A): 50mm
Mounting Holes: 130 x 30mm

Data Sheet No.1700

For installation, operation and maintenance refer to I.O.M.

Details subject to change

Global Valves and Engineering Pty Ltd
"your partner for the future"

Tel: (02) 9868 5055 Fax: (02) 9868 5063 Email: sales@globalvalves.com.au Website: www.globalvalves.com.au