

GLOBAL "TWIST-SET" LINEAR VALVE MOUNTING KITS

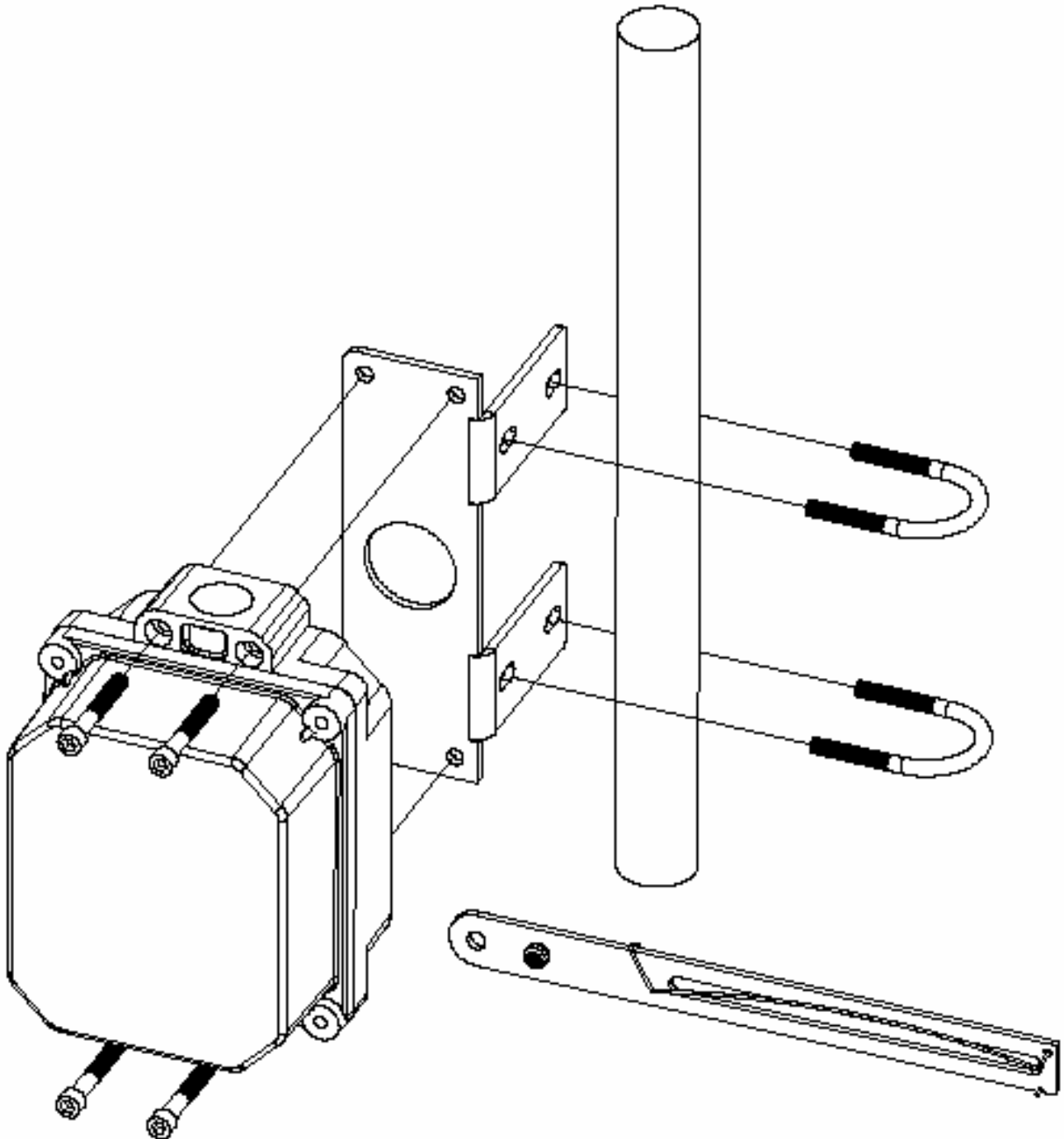
High Quality Global "Twist-Set" Linear valve mounting kits



**Global Valves
and Engineering**

MOUNTING TO LINEAR ACTUATOR

Fig. 1701



Data Sheet No.1701

For installation, operation and maintenance refer to I.O.M.

Details subject to change

Global Valves and Engineering Pty Ltd
"your partner for the future"

Tel: (02) 9868 5055 Fax: (02) 9868 5063 Email: sales@globalvalves.com.au Website: www.globalvalves.com.au