

BRONZE BALL VALVE
2-PIECE DESIGN REDUCED BORE
SIZE RANGE 8mm-50mm **BSP Ends**



Suitable for domestic and commercial plumbing, Industrial Applications, Oil Pipelines, Hot Water Services, Steam and Condensate Lines, Water Treatment, HVAC, Mining and W.W.T.P. applications

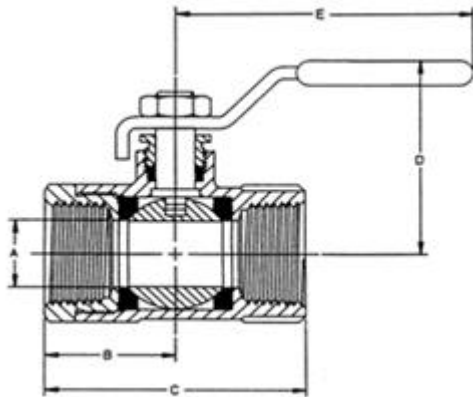
FEATURES

- Blow-out-proof stem
- Adjustable gland packing
- Chromium plated ball
- PTFE seats and RPTFE stuffing box ring
- Saturated steam rating 860 kPa

OPTIONS

- Fig. 32-100 (NPT ends)

Fig. 32-100-BSP



COMPONENT	MATERIAL
BODY	BRONZE
BALL	CHROMIUM PLATED BRASS
BALL SEAT	P.T.F.E.
GLAND	REINFORCED P.T.F.E.
SPINDLE	BRASS

DIMENSIONS

SIZE mm	8	10	15	20	25	32	40	50
A	9.4	9.4	10.2	16.5	19.1	25.4	28.4	38.1
B	20.3	20.3	25.4	30.5	39.4	43.7	49.0	55.1
C	40.6	40.6	50.8	61.2	78.5	87.4	98.3	111.0
D	42.0	42.0	42.7	48.3	55.4	64.3	68.3	74.7
E	72.9	72.9	72.9	98.3	123.7	139.7	139.7	139.7
MAX kPa@50 Deg C	2,800	2,800	2,800	2,800	2,800	2,800	2,800	2,800
MAX kPa@185Deg C	2,100	2,100	2,100	2,100	2,100	2,100	2,100	2,100

Data Sheet No. BL-32-100-BSP-Rev01

For installation, operation and maintenance refer to I.O.M.

Details subject to change

Global Valves and Engineering Pty Ltd

“your partner for the future”

Tel: (02) 9868 5055 Fax: (02) 9868 5063 Email: sales@globalvalves.com.au Website: www.globalvalves.com.au