

SEVERE SERVICE BALL VALVE

F22 ALLOY STEEL HIGH PRESSURE SOCKET WELD
SIZE RANGE 15mm-100mm ANSI 900-4500



Superior quality metal seated ball valve for Severe Service applications in Power Stations and major steam users. Blow down, main steam start up, isolation, main steam drain and electronic relief

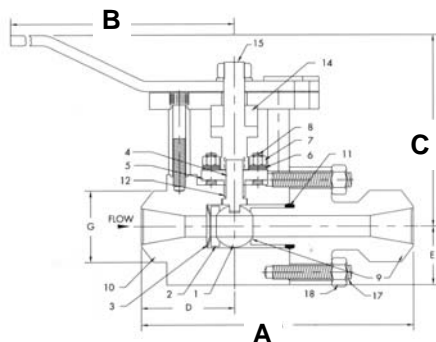
FEATURES

- Live loaded gland
- R.A.M. hard faced ball / integral seat
- Absolute drip tight closure
- 4 YEAR zero leakage GUARANTEE
- High tensile strength stem

OPTIONS

- Fig. B7L1 (Class 900)
- Fig. B8L1 (Class 1500)
- Fig. B0L1 (Class 2500)
- Fig. BBL7 (Class 4500)
- Butt weld ends
- Pneumatic, electric actuator or gear operator
- Available in A105, 316 stainless steel and F91

Fig. V1-1 SERIES



COMPONENT	MATERIAL
BODY	A182-F22 Cl.3
BALL	A182-F6a/RAM31
SEAT	A182-F22 Cl.3/H.F.
GLAND	A182-F22 Cl.3/H.F.
STEM	A638-Gr.660/H.F.
THRUST BEARING	A29-1020/H.F.

DIMENSIONS - 1500 & 2500 / 3500 & 4500 Class

SIZE mm	15	20	25	32	40	50	65	80	100
A	152/203	152/203	203/203	203/203	203/203	254/203	254/283	279/283	279/283
B	381/381	381/381	381/381	381/381	381/381	381/381	381/N/A	N/A	N/A
C	147/147	147/147	147/147	147/147	147/147	165/147	165/N/A	N/A	N/A
MAX kPa @ 510°C									
900 Class	7,790	7,790	7,790	7,790	7,790	7,790	7,790	7,790	7,790
1500 Class	19,510	19,510	19,510	19,510	19,510	19,510	19,510	19,510	19,510
2500 Class	26,890	26,890	26,890	26,890	26,890	26,890	26,890	26,890	26,890
3500 Class	34,715	34,715	34,715	34,715	34,715	34,715	34,715	34,715	34,715
4500 Class	39,060	39,060	39,060	39,060	39,060	39,060	39,060	39,060	39,060
BORE Ø	15.8	15.8	15.8	15.8	15.8	26.9/15.8	26.9	38.1/26.9	38.1/26.9
CV	20	32	44	31	22	80/19	58	162/60	91/43
WT. KG	0.42/0.44	0.46/0.48	0.5/0.48	0.48/0.5	0.5/0.9	0.7/0.9	0.74/1.2	1.8/1.2	1.87/1.2

Data Sheet No. BL-V1-1-Rev03

For installation, operation and maintenance refer to I.O.M.

Details subject to change

Global Valves and Engineering Pty Ltd

"your partner for the future"

Tel: (02) 9868 5055 Fax: (02) 9868 5063 Email: sales@globalvalves.com.au Website: www.globalvalves.com.au