

STAINLESS STEEL BALL VALVE

3-PIECE DESIGN FULL BORE

SIZE RANGE 8mm-100mm

BSP Ends

Suitable for Isolating duties in General Industrial Applications, Oil Pipelines, Hot Water Services, Condensate Lines, Water Treatment, HVAC, Mining, W.W.T.P. Applications, Gauge and Instrument Isolation



FEATURES

- “Swing Out” body design
- Full port
- Blow out proof system
- Reinforced PTFE seats
- Stainless steel components

OPTIONS

- Pneumatic actuators
- Electric actuators
- Butt weld ends
- Socket weld ends
- Fig. V3 ISO (ISO Mounting Pad)

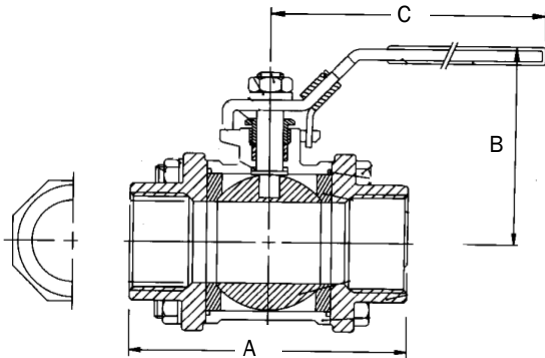


Fig. V3



COMPONENT	MATERIAL
BODY	STAINLESS STEEL - CF8M
BALL	STAINLESS STEEL - CF8M
SEAT	15% R-P.T.F.E.
BODY GASKET	15% R-P.T.F.E.
STEM	AISI 316
LEVER	STAINLESS STEEL - 304

DIMENSIONS

SIZE mm	8	10	15	20	25	32	40	50	65	80	100
A	54	54	61.5	71	83.5	97	110.5	129	171.5	200	252
B	51	51	55	58.5	73	78.5	90.5	99	127	136	172
C	95	95	95	110	135	135	165	165	215	215	325
MAX kPa@ 40°C	9,100	9,100	9,100	9,100	9,100	8,700	8,700	7,200	7,200	7,200	7,200
BORE \varnothing	11.6	12.7	15	20	25	32	38	50	65	80	100
CV	6.6	7.9	11.2	21	34	57	80	148	265	415	780
WT. KG	0.34	0.31	0.46	0.62	0.96	1.49	2.09	3.12	6.5	10.42	20.2

Data Sheet No.BL-V3-Rev01

For installation, operation and maintenance refer to I.O.M.

Details subject to change

Global Valves and Engineering Pty Ltd
“your partner for the future”

Tel: (02) 9868 5055 Fax: (02) 9868 5063 Email: sales@globalvalves.com.au Website: www.globalvalves.com.au