

CAST IRON BUTTERFLY

WAFER PATTERN 12 BAR RATED

SIZE RANGE 50mm-500mm Table E & ANSI 125

Suitable for isolating and regulating duties in Water, Liquids, Air, Gases, Bulk Handling processes in Sewerage and Water Treatment, Pulp & Paper, Power Generation, HVAC, Mining and other General Industries



FEATURES

- ISO 5752 face to face dimensions
- ISO 5211 mounting
- Polyester coated body
- Dove tailed replaceable liner
- Hydro-tested to 110% max pressure
- Viton seat rated to max 204 Deg C

OPTIONS

- Pneumatic actuators double acting and spring return, electric actuators 24VDC to 415V AC, gear operator
- Extension columns
- Chainwheel operator
- Alternative seal (Buna N, EPDM)
- Alternative disc (Aluminium bronze, Hastelloy, ductile iron Nylon 11 coated)

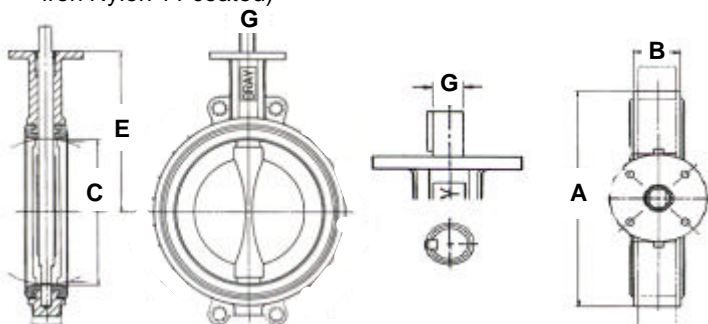
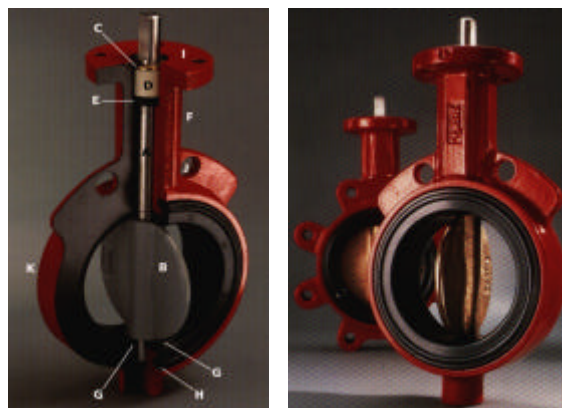


Fig. 30-V



COMPONENT MATERIAL

COMPONENT	MATERIAL
BODY	CAST IRON A126 Cl. B
DISC	STAINLESS STEEL-CF8M
LINER	FKM (VITON) LINER
SHAFT	STAINLESS STEEL
STEM BUSH	ACETAL

DIMENSIONS

SIZE mm	50	65	80	100	125	150	200	250	300	350	400	450	500
A	94	106	124	154	179	206	267	323	378	434	488	537	591
B	41	45	45	51	54	54	64	64	76	76	102	108	127
C	51	64	76	102	127	146	197	248	298	337	388	438	489
E	140	152	159	178	191	203	241	273	311	346	375	406	438
G	14	14	14	16	19	19	22	30	30	35	35	50	50
MAX kPa	1,200	1,200	1,200	1,200	1,200	1,200	1,200	1,200	1,200	1,000	1,000	1,000	1,000
CV	144	282	461	841	1,376	1,850	3,316	5,430	8,077	10,538	13,966	17,214	22,339
WT. KG	5.5	7	7.5	11.5	14	17	34	49	67	95	135	200	260

Data Sheet No. BY-30-V-Rev01

For installation, operation and maintenance refer to I.O.M.

Details subject to change

Global Valves and Engineering Pty Ltd
"your partner for the future"

Tel: (02) 9868 5055 Fax: (02) 9868 5063 Email: sales@globalvalves.com.au Website: www.globalvalves.com.au