

FIRE SERVICES BUTTERFLY
WAFER PATTERN 12.5 BAR RATED UL/FM
SIZE RANGE 65mm-200mm Table E & ANSI 125

Suitable for isolating and regulating duties in Water, Liquids, Air, Gases, Bulk Handling processes in Sewerage and Water Treatment, Pulp & Paper, Power Generation, HVAC, Mining and other General Industries



FEATURES

- Double tamper switch - remote monitoring
- Max working temperature 120 Deg C
- Max test pressure 25 Bars
- FM approved
- UL/ULC listed
- Gear operated - avoids waterhammer

OPTIONS

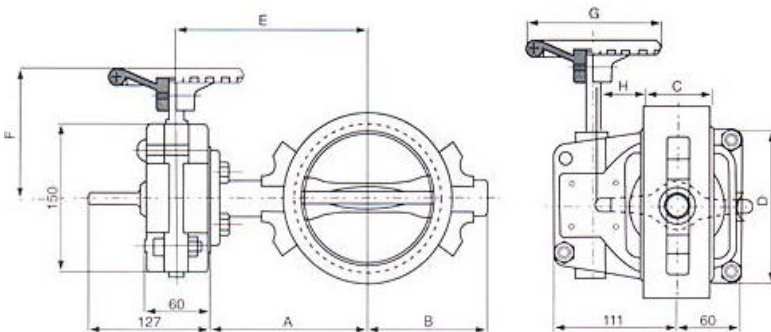
- Fig. FR 300 (21.4 Bar rated)
- Fig. WEEL general purpose butterfly valve
- Pneumatically actuated
- Electrically actuated
- Fig. FR175-GE (grooved ends)

Fig. FR175



COMPONENT MATERIAL

COMPONENT	MATERIAL
BODY	EPDM ENCAPSULATED D.I
DISC	B-148 NiCr PLATED
LINER	EPDM
UPPER/LOWER STEM	AISI 420-SS
SHAFT	AISI 410-SS
HANDWHEEL	ASTM A-536
'O' RINGS	EPDM GRADE "E"
BODY FINISH	EPDM ENCAPSULATED



DIMENSIONS

SIZE mm	65	80	100	150	200
A	105	112	145	180	204
B	85	92	108	145	170
C	46	46	52	56	60
D	92	107	128	181	234
E	136	142	175	210	232
F	135	135	135	193	193
G	125	125	125	225	225
H	9.5	16.0	25.0	45.3	68.5

Data Sheet No. BY-FR175-Rev01

For installation, operation and maintenance refer to I.O.M.

Details subject to change

Global Valves and Engineering Pty Ltd

"your partner for the future"

Tel: (02) 9868 5055 Fax: (02) 9868 5063 Email: sales@globalvalves.com.au Website: www.globalvalves.com.au