

FIRE SERVICES BUTTERFLY
WAFER PATTERN 21.4 BAR RATED UL/FM
SIZE RANGE 65mm-200mm Table E & ANSI 125



High pressure isolating butterfly valve for fire risers and fire mains. Factory fitted UL Listed "double tamper switch", suitable for indoor/outdoor use, permits remote monitoring of valve position.

FEATURES

- Double tamper switch - remote monitoring
- Max working temperature 120 Deg C
- Max test pressure 42.8 Bars
- FM approved
- UL/ULC listed
- Gear operated - avoids waterhammer

OPTIONS

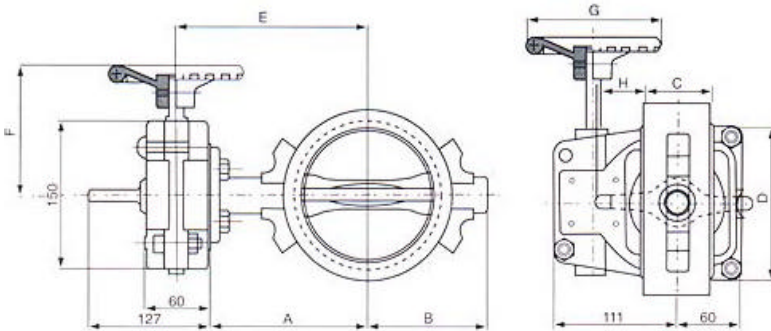
- Fig. FR 175 (12.5 Bar rated)
- Fig. WEEL general purpose butterfly valve
- Pneumatically actuated
- Electrically actuated
- Fig. FR300-GE (grooved ends)

Fig. FR300



COMPONENT MATERIAL

COMPONENT	MATERIAL
BODY	A-536 NYLON COATED
DISC	A-536 EPDM ENCAPSULATED
LINER	EPDM
UPPER/LOWER STEM	AISI 420-SS
WORM GEAR SHAFT	AISI 410-SS
HANDWHEEL	ASTM A-536
'O' RINGS	EPDM GRADE "E"
BODY FINISH	NYLON COATED



DIMENSIONS

SIZE mm	65	80	100	150	200
A	136	143	156	188	222
B	87	93	109	144	166
C	46	46	52	56	58
D	149.4	168.2	200.2	269.8	330.2
E	166	173	186	218	252
F	135	135	135	193	193
G	128	128	128	220	220
H	8.2	14.5	22.7	45.4	69.1

Data Sheet No. BY-FR300-Rev01

For installation, operation and maintenance refer to I.O.M.

Details subject to change

Global Valves and Engineering Pty Ltd

"your partner for the future"

Tel: (02) 9868 5055 Fax: (02) 9868 5063 Email: sales@globalvalves.com.au Website: www.globalvalves.com.au