

# CAST IRON BUTTERFLY

## WAFER PATTERN 16 BAR RATED

### SIZE RANGE 50mm-600mm Table E & ANSI 125

Suitable for isolating and regulating duties in Water, Liquids, Air, Gases, Bulk Handling processes in Sewerage and Water Treatment, Pulp & Paper, Power Generation, HVAC, Mining and other General Industries



### FEATURES

- Conforms to BS 5155
- Top flange to ISO 5211/1
- Square top stem for actuation
- FBE coated body
- Cartridge type replaceable seal
- Vacuum service rated

### OPTIONS

- Pneumatic actuators double acting and spring return
- Electric actuators 24VDC to 415V AC
- Extension columns
- Lever operated (Fig. WEEL)
- Chainwheel operator

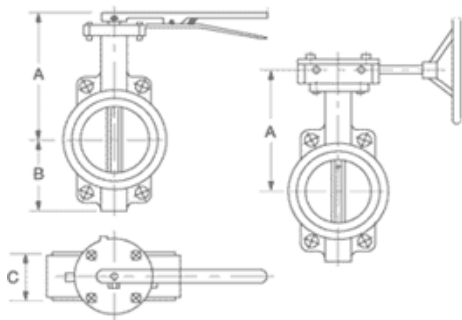


Fig. WEEG



COMPONENT	MATERIAL
DISC	STAINLESS STEEL CF8M
SEAT	EPDM
BODY	CAST IRON
STEM	STAINLESS STEEL 410
O-RING	NITRILE (NBR)
BUSHING	BRONZE
BODY FINISH	FBE COATED

### DIMENSIONS

SIZE mm	50	65	80	100	125	150	200	250	300	350	400	450	500	600
A	161	175	181	200	213	226	260	292	337	368	400	422	480	562
B	80	89	95	114	127	139	170	203	242	267	309	328	349	440
C	43	46	46	52	56	56	60	68	78	78	84	103	127	150
MAX kPa	1,600	1,600	1,600	1,600	1,600	1,600	1,600	1,600	1,600	1,000	1,000	1,000	1,000	1,000
ISO Mount	F05	F05	F05	F07	F07	F07	F10	F10	F10	F10	F14	F14	F14	F16
CV	135	220	302	600	1,022	1,579	3,136	5,340	8,250	11,917	16,388	21,705	27,908	43,116
WT. KG	7	7	7.8	9	11	13.5	21	29	41.5	65	75	98	140	220

Data Sheet No. BY-WEEG-Rev01

For installation, operation and maintenance refer to I.O.M.

Details subject to change

**Global Valves and Engineering Pty Ltd**

*"your partner for the future"*

Tel: (02) 9868 5055 Fax: (02) 9868 5063 Email: sales@globalvalves.com.au Website: www.globalvalves.com.au