

# CAST IRON BUTTERFLY

## WAFER PATTERN 16 BAR RATED

### SIZE RANGE 50mm-600mm Table E & ANSI 125

Suitable for isolating and regulating duties in Water, Liquids, Air, Gases, Bulk Handling processes in Sewerage and Water Treatment, Pulp & Paper, Power Generation, HVAC, Mining and other General Industries



### FEATURES

- Conforms to BS 5155
- Top flange to ISO 5211/1
- Square top stem for actuation
- FBE Coated body
- Cartridge type replaceable seal
- Vacuum service rated

### OPTIONS

- Pneumatic actuators double acting and spring return
- Electric actuators 24VDC to 415V AC
- Extension columns
- Gear operated (Fig. WEEG)
- Chainwheel operator

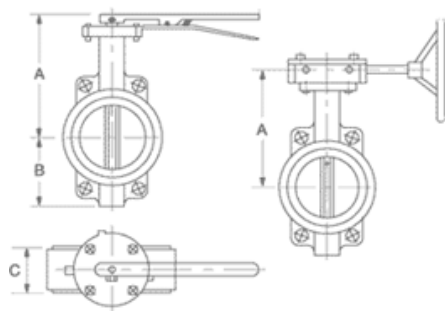


Fig. WEEL



| COMPONENT   | MATERIAL             |
|-------------|----------------------|
| DISC        | STAINLESS STEEL CF8M |
| SEAT        | EPDM                 |
| BODY        | CAST IRON            |
| STEM        | STAINLESS STEEL 410  |
| O-RING      | NITRILE (NBR)        |
| BUSHING     | BRONZE               |
| BODY FINISH | FBE COATED           |

### DIMENSIONS

| SIZE mm   | 50    | 65    | 80    | 100   | 125   | 150   | 200   | 250   | 300   | 350    | 400    | 450    | 500    | 600    |
|-----------|-------|-------|-------|-------|-------|-------|-------|-------|-------|--------|--------|--------|--------|--------|
| A         | 161   | 175   | 181   | 200   | 213   | 226   | 260   | 292   | 337   | 368    | 400    | 422    | 480    | 562    |
| B         | 80    | 89    | 95    | 114   | 127   | 139   | 170   | 203   | 242   | 267    | 309    | 328    | 349    | 440    |
| C         | 43    | 46    | 46    | 52    | 56    | 56    | 60    | 68    | 78    | 78     | 84     | 103    | 127    | 150    |
| MAX kPa   | 1,600 | 1,600 | 1,600 | 1,600 | 1,600 | 1,600 | 1,600 | 1,600 | 1,600 | 1,000  | 1,000  | 1,000  | 1,000  | 1,000  |
| ISO Mount | F05   | F05   | F05   | F07   | F07   | F07   | F10   | F10   | F10   | F10    | F14    | F14    | F14    | F16    |
| CV        | 135   | 220   | 302   | 600   | 1,022 | 1,579 | 3,136 | 5,340 | 8,250 | 11,917 | 16,388 | 21,705 | 27,908 | 43,116 |
| WT. KG    | 4.0   | 4.0   | 4.8   | 6.5   | 8.0   | 10.0  | 15.0  | 23.0  | 34.0  | N/A    | N/A    | N/A    | N/A    | N/A    |

Data Sheet No. BY-WEEL-Rev01

For installation, operation and maintenance refer to I.O.M.

Details subject to change

**Global Valves and Engineering Pty Ltd**

*"your partner for the future"*

Tel: (02) 9868 5055 Fax: (02) 9868 5063 Email: sales@globalvalves.com.au Website: www.globalvalves.com.au