

STAINLESS BUTTERFLY
WAFER PATTERN 10 BAR RATED
SIZE RANGE 50mm-300mm Table E & ANSI 150

Suitable for isolating and regulating duties in corrosive environments. Applications include Mine De-Watering, Air, Gases, Bulk Handling, Sewerage and Waste Water Treatment, Pulp & Paper, HVAC, Power-Generation, Mining and other General Industries.



FEATURES

- Stainless steel body, disc & lever
- Conforms to BS 5155
- Top flange to ISO 5211/1
- Square top stem for actuation
- Cartridge type replaceable seal
- Vacuum service rated

OPTIONS

- Pneumatic actuators double acting and spring return
- Electric actuators 24VDC to 415V AC
- Extension columns
- Gear operated (Fig. WEEG)
- Chain wheel operator

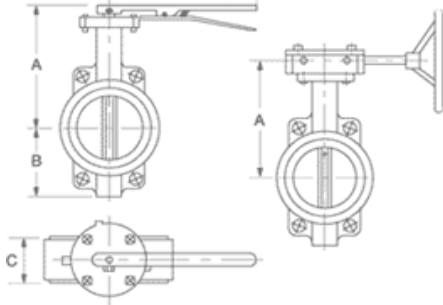


Fig. WEEL-SS



COMPONENT	MATERIAL
DISC	STAINLESS STEEL CF8M
SEAT	EPDM
BODY	STAINLESS STEEL CF8M
STEM	STAINLESS STEEL 316
O-RING	NITRILE (NBR)
BUSHING	TEFLON
BODY FINISH	SHOT BLAST

DIMENSIONS

SIZE mm	50	65	80	100	125	150	200	250	300
A	161	175	181	200	213	226	260	292	337
B	80	89	95	114	127	139	170	203	242
C	43	46	46	52	56	56	60	68	78
MAX kPa	1,600	1,600	1,600	1,600	1,600	1,600	1,600	1,600	1,600
ISO Mount	F05	F05	F05	F07	F07	F07	F10	F10	F10
CV	135	220	302	600	1,022	1,579	3,136	5,340	8,250
WT. KG	4.0	4.0	4.8	6.5	8.0	10.0	15.0	23.0	34.0

Data Sheet No. BY-WEEL-SS-Rev01

For installation, operation and maintenance refer to I.O.M.

Details subject to change

Global Valves and Engineering Pty Ltd

"your partner for the future"

Tel: (02) 9868 5055 Fax: (02) 9868 5063 Email: sales@globalvalves.com.au Website: www.globalvalves.com.au