

CAST IRON MONO CHECK

WAFER PATTERN CLASS 150

SIZE RANGE 50mm-300mm Table E & AS 2129

Suitable for prevention of back flow in Water, Liquids, Air and Gases in Sewerage and Water Treatment, Pulp & Paper, Power Generation, HVAC, Mining and other General Industries



FEATURES

- Max working temperature rating 135°C
- Wafer pattern
- Spring loaded
- Stainless steel flap
- Minimises water hammer

OPTIONS

- Backflush lever, counter weight
- Open/shut indicator, microswitch
- Emergency shut down actuation
- Available in cast steel and stainless steel
- Alternative disc/trim materials

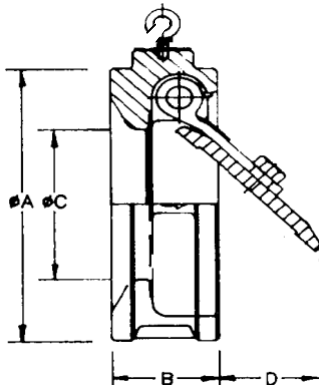


Fig. MONO-C96E



COMPONENT	MATERIAL
BODY	CAST IRON
DISC/ARM	STAINLESS STEEL - 304
PIN	STAINLESS STEEL - 304
SEAL	EPDM 'O' RING
SPRING	STAINLESS STEEL - 304

DIMENSIONS

SIZE mm	50	65	80	100	125	150	200	250	300
A	96	109	128	160	191	213	270	333	381
B	45	48	51	57	64	70	73	79	86
C	33	43	52	76	95	121	163	194	241
D	29	30	56	75	95	114	156	188	222
CV	56	109	166	318	471	720	1,384	2,298	4,153
WT. KG	1.8	2.4	3.2	5.4	7.3	9.2	14.6	23.6	34.4

Data Sheet No. CF-MONO-C96E-Rev01

For installation, operation and maintenance refer to I.O.M.

Details subject to change

Global Valves and Engineering Pty Ltd

"your partner for the future"

Tel: (02) 9868 5055 Fax: (02) 9868 5063 Email: sales@globalvalves.com.au Website: www.globalvalves.com.au