

STAINLESS STEEL DISCO CHECK

1-PIECE WAFER DESIGN 40 BAR RATED

SIZE RANGE 15mm-100mm

Suitable for isolating and regulating duties in Water, Liquids, Air, Gases, Bulk Handling processes in Sewerage and Water Treatment, Pulp & Paper, Power Generation, HVAC, Mining and other General Industries



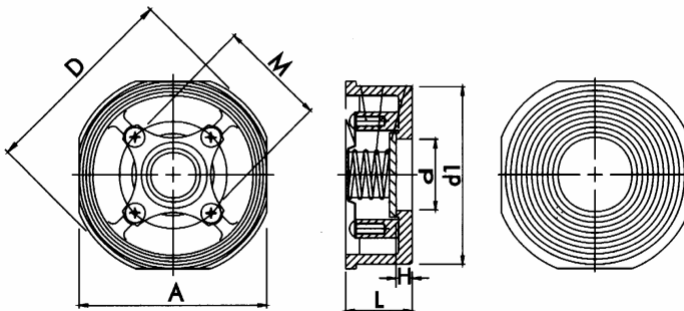
FEATURES

- Compact wafer design
- Self centering body ribs
- Minimises water hammer
- Spring assisted closure

OPTIONS

- DCV40 CS (carbon steel body)
- DCV40 SS-V (viton seated SS)

Fig. DC40SS



COMPONENT	MATERIAL
BODY	STAINLESS STEEL - CF8M
DISC	STAINLESS STEEL - CF8M
SPRING	AISI 316
SPRING RETAINER	AISI 316
RETAINING SCREWS	AISI 304

DIMENSIONS

SIZE MM	15	20	25	32	40	50	65	80	100
A	45	55	65	78	88	98	118	134	154
D	53	63	73	84	94	107	126	144	164
L	16.5	19.5	22.0	28.0	32.0	40.0	46.0	50.0	60.0
M	27.7	34.2	39.4	43.7	54.0	63.5	82.8	98.8	119.8
MAX kPa @ 426°C	4,000	4,000	4,000	4,000	4,000	4,000	4,000	4,000	4,000
BORE Ø	15.0	20.0	25.4	30.0	38.0	47.0	62.5	77.0	96.0
WT. KG	0.12	0.20	0.30	0.40	0.60	0.80	1.50	1.90	3.30

Data Sheet No. CW-DC40SS-Rev01

For installation, operation and maintenance refer to I.O.M.

Details subject to cha165nge

Global Valves and Engineering Pty Ltd

"your partner for the future"

Tel: (02) 9868 5055 Fax: (02) 9868 5063 Email: sales@globalvalves.com.au Website: www.globalvalves.com.au