

BRASS GATE VALVE
BS5154 20 BAR RATED
SIZE RANGE 8mm-100mm **BSP Ends**

Suitable for isolating duties in Water, Liquids, Air and Gases in Bulk Handling processes, Sewerage and Water Treatment, Pulp & Paper, Power Generation, HVAC, Mining and other General Industries.



FEATURES

- Conforms to BS5154
- PTFE gland packing
- Handwheel aluminium alloy
- Conforms to ISO 9000 requirements

OPTIONS

- Fig. 70BSCR (DZR version) 15-50mm

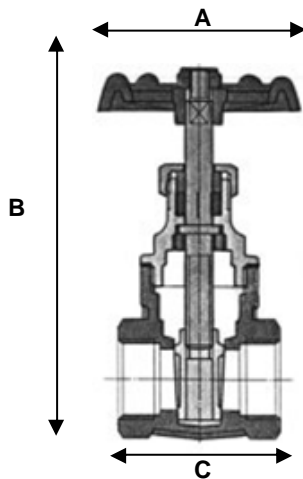


Fig. 70BS



COMPONENT	MATERIAL
BODY	BRASS
STEM	BRASS
GLAND PACKING	AF 15 / MA
BONNET	BRASS
HANDWHEEL	ALUMINIUM ALLOY
BODY FINISH	SHOT BLAST

DIMENSIONS											
SIZE mm	8	10	15	20	25	32	40	50	65	80	100
A	50	50	55	60	65	75	80	90	120	140	175
B	71	71	79	96	106	122	130	166	210	247	290
C	40	40	44	48	58	61	68	71	92	98	108
MAX kPa@100°C	2,000	2,000	2,000	2,000	2,000	2,000	2,000	2,000	2,000	2,000	2,000
BORE ø	12	12	13	19	23	32	39	50	64	77	102
CV	8.2	8.2	11.7	42	71.2	105.1	220.6	322.1	525.2	917.3	1722

Data Sheet No. GA-70BS-Rev01

For installation, operation and maintenance refer to I.O.M.

Details subject to change

Global Valves and Engineering Pty Ltd
"your partner for the future"

Tel: (02) 9868 5055 Fax: (02) 9868 5063 Email: sales@globalvalves.com.au Website: www.globalvalves.com.au