

CAST IRON KNIFEGATE

WAFFER PATTERN 10 BAR RATED

SIZE RANGE 50mm-600mm Table E & ANSI

Suitable for isolating and regulating duties in Water, Liquids, Air, Gases, Bulk Handling processes in Sewerage and Water Treatment, Pulp & Paper, Power Generation, HVAC, Mining and other General Industries



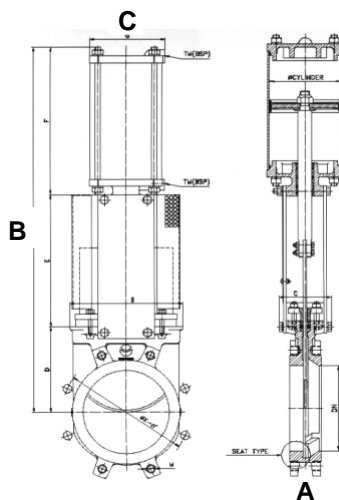
FEATURES

- Robust stainless steel blade
- Conforms to MSS-SP-81
- Long life packing
- Good deep stuffing box

OPTIONS

- Stainless steel - CF8M body
- Lugged
- Electric, hydraulic, chainwheel, double acting pneumatic actuators
- Metal to metal seating; EPDM or Vilon seating; deflecting cone
- Surface treatments against abrasion, corrosion, adherence
- Stem extensions

Fig. EXT-P



COMPONENT	MATERIAL
BODY	CAST IRON - GG25
GATE	AISI 304
SEAT	METAL or RESILIENT
STEM	AISI 303
GLAND	ALUMINIUM
HANDWHEEL	S.G IRON

DIMENSIONS

SIZE mm	50	65	80	100	125	150	200	250	300	350	400	450	500	600
A	48	48	51	51	57	57	70	70	76	76	89	89	114	114
B	415	458	501	563	640	715	878	1,036	1,186	1,382	1,563	1,704	1,867	2,172
C	95	95	95	115	140	140	175	220	220	277	277	382	382	382
MAX kPa	1,000	1,000	1,000	1,000	1,000	1,000	1,000	1,000	600	600	600	500	400	400

Data Sheet No. KG-EXT-P-Rev01

For installation, operation and maintenance refer to I.O.M.

Details subject to change

Global Valves and Engineering Pty Ltd

"your partner for the future"

Tel: (02) 9868 5055 Fax: (02) 9868 5063 Email: sales@globalvalves.com.au Website: www.globalvalves.com.au