

CAST IRON KNIFEGATE

WAFER PATTERN 10 BAR RATED

SIZE RANGE 50mm-600mm Table E & ANSI

Suitable for isolating duties in Water, Liquids, Food and Beverage, Bulk Handling processes, Sewerage and Water Treatment, Pulp & Paper, Power Generation, Mining and other General Industries



FEATURES

- Robust stainless steel blade
- Conforms to MSS-SP-81
- Long life packing
- Good deep stuffing box
- Easily adaptable for actuation

OPTIONS

- Stainless steel - CF8M body
- Metal to metal seating
- EPDM or Viton seating
- Deflection cone
- Fig. EXT-P pneumatic actuation

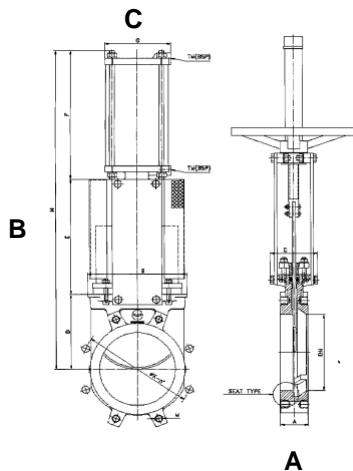


Fig. EXT



COMPONENT	MATERIAL
BODY	CAST IRON - GG25
GATE	AISI 304
SEAT	METAL or RESILIENT
STEM	AISI 303
GLAND	ALUMINIUM
HANDWHEEL	S.G IRON

DIMENSIONS

SIZE mm	50	65	80	100	125	150	200	250	300	350	400	450	500	600
A	48	48	51	51	57	57	70	70	76	76	89	89	114	114
B	435	462	487	528	612	663	831	1,031	1,131	1,341	1,445	1,610	1,723	2,038
C	90	90	90	90	100	100	118	118	118	193	193	197	197	197
MAX kPa	1,000	1,000	1,000	1,000	1,000	1,000	1,000	1,000	600	600	600	500	400	400

Data Sheet No. KG-EXT-Rev01

For installation, operation and maintenance refer to I.O.M.

Details subject to change

Global Valves and Engineering Pty Ltd
"your partner for the future"

Tel: (02) 9868 5055 Fax: (02) 9868 5063 Email: sales@globalvalves.com.au Website: www.globalvalves.com.au