



Backflushing Strainer



BACKFLUSHING STRAINER COMPACT TYPE

The Plenty Filters compact type of backflush strainers has been specially designed for use where an automatic cleaning strainer is required to ensure process continuity without manual labour.

These strainers incorporate a proven cleaning mechanism which has been developed to provide a **high level of cleaning efficiency with very low product loss**. The units are manufactured in cast iron or stainless steel, which allows the standard design to be used in a variety of process applications. The straining element is manufactured from stainless steel, and is designed to provide long service life. These strainers are supplied in a full range of sizes to suit most applications.

SPX Process Equipment

Plenty House, Hambridge Road, Newbury, Berkshire, RG14 5TR

Telephone +44 (0)1635 42363 Facsimile +44 (0)1635 49758 Email filters.plenty@processequipment.spx.com www.plentyfiltration.com



Backflushing Strainer Compact Type

APPLICATIONS

Designed especially for applications on water systems the compact type of backflush strainers can be installed in process plant making use of river, lake, canal, well and seawater for nozzle protection, cooling, quenching and various other requirements. The compact backflusher is supplied to automatically clean when pressure drop rises to 5PSIG (0.35 BARG).

TYPICAL MATERIALS OF CONSTRUCTION

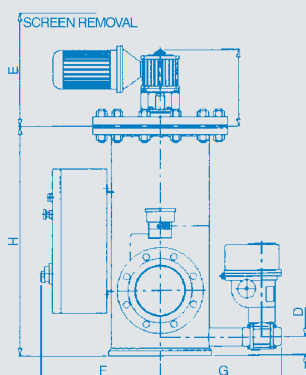
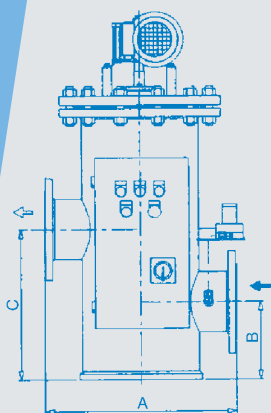
STAINLESS STEEL

Body Material	Stainless Steel 316L
Design Pressure	150 PSIG (10 BARG) @ 38°C
Flanges	BS4504 PN10
Design Code	Commercial Standard
Test Pressure	225 PSIG (15 BARG)

CAST IRON

Body Material	Cast Iron BS 1452 GR 260
Design Pressure	200 PSIG (13.8 BARG) @ 38°C
Flanges	ASME B16.1 Class 125FF
Design Code	Commercial Standard
Test Pressure	300 PSIG (20.7 BARG)

NOTE: A minimum line pressure of 2 BARG at inlet to filter is required to ensure efficient cleaning of the filtration element. The backwash line should be piped to atmosphere with piping kept to a minimum.



DIMENSIONS (for Stainless Steel Version Only)

Pipe Size	Flow IGPM	A	B	C	D	E	F	G	H	Screen Area In ²	Backwash Size
80	170	470	165	330	60	475	490	435	462	175	50
100	350	470	180	350	60	600	400	415	588	300	50
150	750	530	215	420	60	710	430	440	760	460	50
200	1200	610	280	560	60	870	443	455	1015	695	50
250	1800	700	350	680	104	930	468	545	1157	905	65
300	2170	760	400	800	104	1000	493	600	1352	1180	65

In addition to the compact range of backflushers, we also manufacture other ranges of backflushing strainers for larger pipe sizes and capacities up to 73,500 IGPM (20,000M³/H).

Standard units for higher working pressures are available.