

STAINLESS STRAINER

'Y' PATTERN 55 BAR RATED
SIZE RANGE 8mm-50mm

BSP Ends

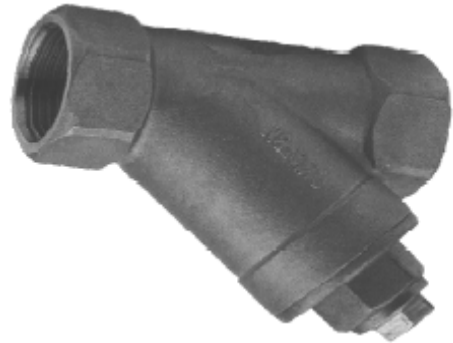


Suitable for removal of pipeline debris from pipelines on Water, LP Steam, Fuel Oils, Gases & Compressed Air in Water Treatment, Pulp & Paper, Power Generation, HVAC, Mining & other General Industries

FEATURES

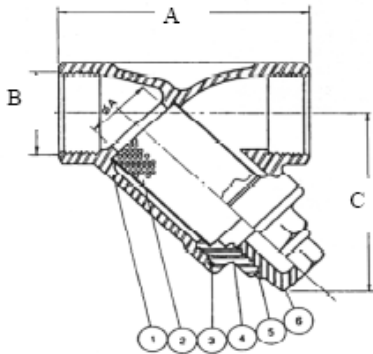
- Large basket area
- Low pressure drop
- Stainless steel body
- Sat. Steam rated to 1035 kPa
- Cold working pressure 5,500 kPa (800psi)
- Blow-down plug in base cap

Fig. YST-SS-800



OPTIONS

- Mesh available down to 27 micron
- Available with blow-down valve fitted



COMPONENT	MATERIAL
BODY	CF8M STAINLESS STEEL
STRAINER	316 S/S
GASKET	PTFE
BASE CAP	316 S/S
O RING	VITON
PLUG	CF8M STAINLESS

DIMENSIONS

SIZE mm	8	10	15	20	25	32	40	50
A	65	65	65	80	90	105	120	140
C	51	51	51	65	72	77	87	103
MAX kPa @ 185°C	1,035	1,035	1,035	1,035	1,035	1,035	1,035	1,035
MAX kPa @ 38°C	5,500	5,500	5,500	5,500	5,500	5,500	5,500	5,500
WT. KG	0.3	0.4	0.5	0.7	0.9	1.1	1.3	1.5

Data Sheet No. STR-SS-800-Rev01

For installation, operation and maintenance refer to I.O.M.

Details subject to change

Global Valves and Engineering Pty Ltd

"your partner for the future"

Tel: (02) 9868 5055 Fax: (02) 9868 5063 Email: sales@globalvalves.com.au Website: www.globalvalves.com.au