

RHINO VALVES WORLDWIDE



Cryogenic

C44/C600 CRYOGENICS

Based on the Series 44, this valve has an extended stem to move away the drops cryogenic temperatures of the operator (human or automatic).

This valve is usually unidirectional and it has seals able to support the severe ones thermal changes to that it is subjected. Their versatility of options is similar to the of the Series 44.



LICENSE No. 6D-0321

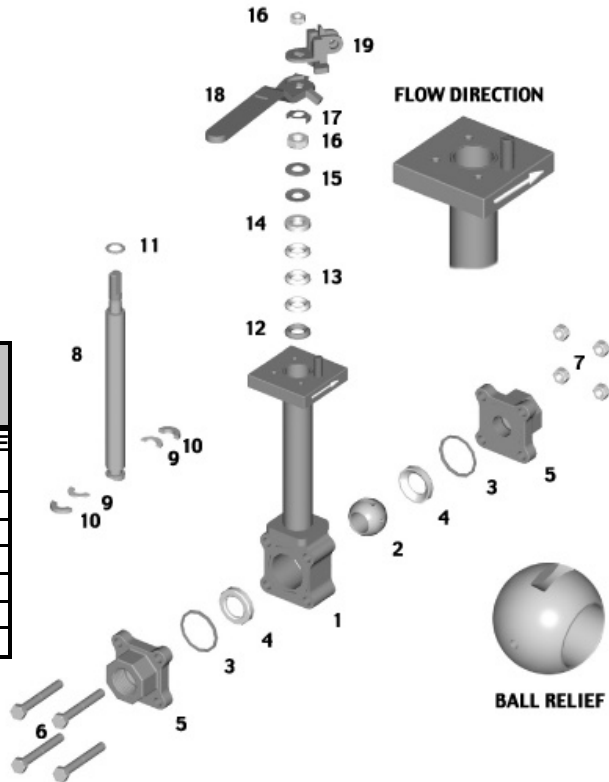


RHINO VALVES WORLDWIDE



CRYOGENIC

Uni-directional design with relief bore on the down flow side to prevent an increase of pressure due to temperature. Extended stem for safe operation. Multifil seats without relief and "S" Gasket body seals, with high resistance to the cycles of temperature.

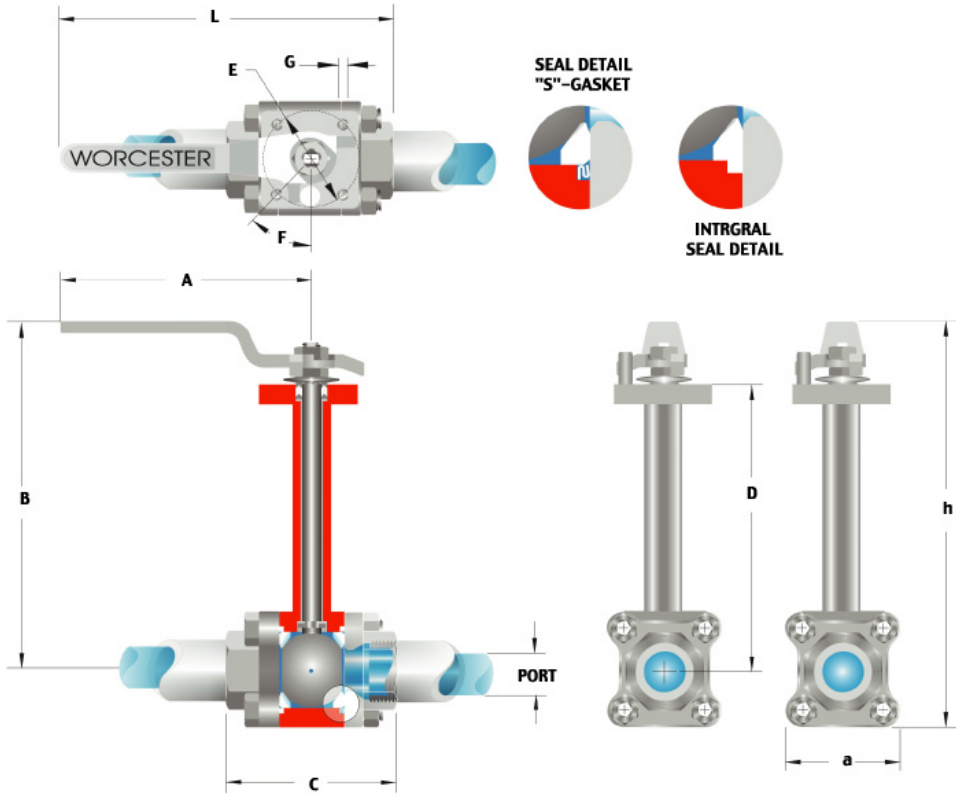


FLOW RATE		SERIES C44	
SIZE OF THE VALVE	Cv (USGPM)	EQUIVALENT LONGITUDE OF THE TUBE IDENTIFICATION 40 IN FEET	
1/2"	8	3.1	
3/4"	12	6.3	
1"	32	3.1	
1 1/4"	46	6.3	
1 1/2"	82	4.3	
2"	120	7.5	

PARTS LISTING OF SERIES C44				
ITEM	QUANTITY	DESCRIPTION	BRASS	STAINLESS STEEL
1	1	BODY EXTENSION	ASTM B283 C37700/A316	ASTM A351 CF8M
2	1	BALL	ASTM A351 CF8M	ASTM A351 CF8M
3	2	SEAL "S" GASKET	PTFE "S" GASKET	PTFE "S" GASKET
4	2	SEAT	MULTIFIL	MULTIFIL
5	2	PIPE END	ASTM B283 C37700	ASTM A351 CF8M
6	4	BOLT	ASTM F593 TYPE A304	ASTM F593 TYPE A304
7	4	NUT	ASTM F594 TYPE A304	ASTM F594 TYPE A304
8	1	STEM	AISI 316	AISI 316
9	2	SPLIT WASHER	MULTIFIL	MULTIFIL
10	2	SPLIT RING	AISI 316	AISI 316
11	1	THING WASHER	R-PTFE 25%	R-PTFE 25%
12	1	FOLLOWER	AISI 316	AISI 316
13	3	CHEVRON PACKING	PTFE	PTFE
14	1	FOLLOWER	AISI 316	AISI 316
15	2	BELLEVILLE WASHER	AISI 302	AISI 302
16	2	RETAINING NUT	ASTM F594 TYPE A304	ASTM F594 TYPE A304
17	1	LOCK NUT	AISI 304	AISI 304
18	1	HANDLE	ASTM A743 CF8/CA15	ASTM A743 CF8/CA15
19	1	HANDLE LOCK (OPTIONAL)	ASTM A743 CF8/CA15	ASTM A743 CF8/CA15



CRYOGENIC



The pipe is exclusively representative. They are only as reference and they are subject to changes without previous notice.

Dimension in inches.

SERIE C44

SIZE	A	B	C	D	PORT	ISO 5211	E	F	G	Weight in Lbs.	L	h	a
1/2"	4.25	8.00	2.61	7.03	0.438	F03	1.42	45°	M4	2.76	5.56	8.88	1.75
3/4"	4.25	8.00	2.83	7.03	0.563	F03	1.42	45°	M4	3.20	5.67	9.00	2.00
1"	5.75	9.00	3.72	7.12	0.813	F04	1.65	45°	M4	4.97	7.66	10.19	2.38
1 1/4"	5.75	10.00	4.22	7.87	1.000	F04	1.65	45°	M4	7.13	7.86	11.32	2.63
1 1/2"	7.00	10.50	4.56	8.73	1.250	F05	1.97	45°	M5	10.15	9.28	12.10	3.19
2"	7.00	11.00	5.01	9.79	1.500	F05	1.97	45°	M5	13.38	9.51	12.79	3.57

RHINO VALVES WORLDWIDE

APPLICABLE INTERNATIONAL STANDARDS



APPLICABLE INTERNATIONAL STANDARDS

Norm	Description	Applicable in	Size	Content
NACE MR-01-75	Valves that require special resistance to fractures and hydrosulfuric attack	All the models except Brass	1/4" - 8"	For sour environment, stainless ferrous and not ferrous metals
ANSI/FCI 70-2	for seat leaks of control valves. Class VI	All the models	1/4" - 8"	(pneumatic) trapped air test
MSS-SP-26	System of Marking Standard	All the models except series 42, 43, 1000	1/4" - 8"	Size-thread-temperature. Pressure-material-Nom. Casting Heat. No.
MSS-SP-55	Visual inspection Method acceptance of cast steel valves	All the models except Brass	1/2" - 8"	12 types of frequent surface irregularities identifiable by comparative visual inspection
API 6D	Specification for piping and valves	All the models	2" - 8"	Quality system according to American Petroleum Institute
API 607	"Fire Safe" testing	All the models except series 42, 43 and 1000	1/4" - 8"	Available certificate in some valves
API 598	Inspection and test of valves	All the models	1/4" - 2"	Hydrostatic and pneumatic inspection
ANSI B 16.5	Flanges for steel pipe lines	All the flanged models	1/2" - 8"	Dimension-material-range. Pressure temperature-facing. Different types of flanges
ANSI B 16.10	End to end dimensions of valves with flanges and/or to weld ends	All the flanged models and weld end models	1/2" - 8"	Face to face Dimensions
ANSI B 16.11	End Dimensions: S.W. (Socket Weld) S.E. (Threaded)	All the models except flanged	1/4" - 6"	Face to face Dimensions
ANSI B 16.34	Steel valves	All the models	1/4" - 14"	Wall Thickness designs. Material-specifications. Range-Pressure-Temperature. Hydrostatic Test
ANSI B 16.25	Buttweld ends	All the models except flanged	1/2" - 6"	Angle of machine beveling and O.D. And I.D.

RHINO VALVES WORLDWIDE



HOW TO ORDER

HOW TO ORDER TO RHINO VALVES

Valve Size	Type	Series	Body, pipe ends	M a t e r i a l			Ends
				Ball Steam	Seat	Body Seals	
1 1/2"	D	4	4	6	T	T	SW
1/4"	- Normal	4 - 400 (44)	1 - Brass	1 - Brass	B - Buna	B - Buna	SE - Screw End
3/8"	FS - Fire Safe	6 - 600	4 - Carbon Steel	4 - Carbon Steel	T - Ptfе	T - Ptfе	SW - Socket Weld
1/2"	D - Diverter	H6 - H600	6 - Stainless Steel	6 - Stainless Steel	R - Tfe	R - Tfe	BW - Butt Weld
3/4"	T - 3 Ways	42 - Mite	6L - Stainless Steel CF-3M		Y - Lubetal (Delrin)	Y - Lubetal (Delrin)	150# - Ansi 150
1"	C - Cryogenic	43 - Mass			MT - Multifil	MT - Multifil	300# - Ansi 300
1 1/4"	PT - Full Port	60 - 6000			U - Uhmwpe	U - Uhmwpe	
1 1/2"		45			D - Devlon	D - Devlon	
2"		150				G - Graphoil	
3"		151				V - Viton	
4"		152					
6"		300					
8"		302					
		10 - 1000					
		20 - 2000					
					Note : Use only one letter if body seal is to be same material as seat		

NOT ALL THE COMBINATIONS ARE AVAILABLE. SEE THE FOLLOWING TABLE AND CONSULT TO THE COMPANY OR AUTHORIZED DISTRIBUTOR FOR AVAILABILITY.

THERE ARE SOME OTHER MATERIALS, OPTIONS AND ENDS AVAILABLE

COMMON COMBINATION FOR SEALS AND SEATS MATERIALS

SERIES	SEATS	BODY SEALS	STEAM SEAL
ALL	BUNA	BUNA	RTFE
ALL	PTFE	PTFE	RTFE
ALL	RTFE	PFTE	RTFE
ALL	LUBETAL	VITON	RTFE
ALL	MULTIFIL	MULTIFIL	MULTIFIL
ALL	UHMWPE	VITON	RTFE
FS ONLY	PTFE	GRAPHOIL	GRAPHOIL
H600 ONLY	DELRIN	VITON	DELRIN/MULTIFIL
6000 ONLY	DELRIN/VITON	VITON	DELRIN/MULTIFIL