

TEFLON LINED BUTTERFLY

WAFER PATTERN 10 BAR RATED

SIZE RANGE 50mm-300mm Table E & ANSI 125

Suitable for isolating and regulating duties in services where EPDM and other conventional seating materials are not suitable. Ideal for Water, Liquids, Air and Gases, in Sewerage and Water Treatment, Pulp & Paper, Power Generation, HVAC, Mining and other General Industries



FEATURES

- Corrosion resistant disc and body liner
- Top flange to ISO 5211/1
- Square top stem for actuation
- FBE Coated body
- Cartridge type replaceable seal

OPTIONS

- Pneumatic actuators double acting and spring return
- Electric actuators 24VDC to 415V AC
- Extension columns
- Gear operated (Fig. WEEG)
- Chain wheel operator

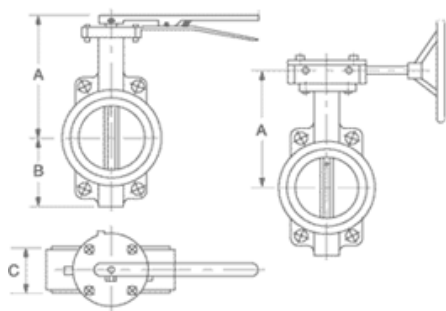


Fig. WETL



COMPONENT	MATERIAL
DISC	STAINLESS STEEL CF8M
SEAT	PTFE
BODY	CAST IRON
STEM	STAINLESS STEEL 316
O-RING	NITRILE (NBR)
BUSHING	TEFLON
BODY FINISH	FBE COATED

DIMENSIONS

SIZE mm	50	65	80	100	125	150	200	250	300
A	161	175	181	200	213	226	260	292	337
B	80	89	95	114	127	139	170	203	242
C	43	46	46	52	56	56	60	68	78
MAX kPa	1,000	1,000	1,000	1,000	1,000	1,000	1,000	1,000	1,000
ISO Mount	F05	F05	F05	F07	F07	F07	F10	F10	F10
CV	135	220	302	600	1,022	1,579	3,136	5,340	8,250
WT. KG	4.0	4.0	4.8	6.5	8.0	10.0	15.0	23.0	34.0

Data Sheet No. BY-WETL-Rev02

For installation, operation and maintenance refer to I.O.M.

Details subject to change

Global Valves and Engineering Pty Ltd

"your partner for the future"

Tel: (02) 9868 5055 Fax: (02) 9868 5063 Email: sales@globalvalves.com.au Website: www.globalvalves.com.au